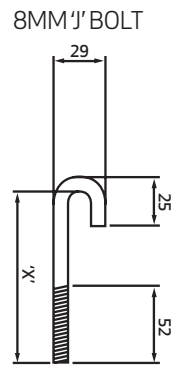
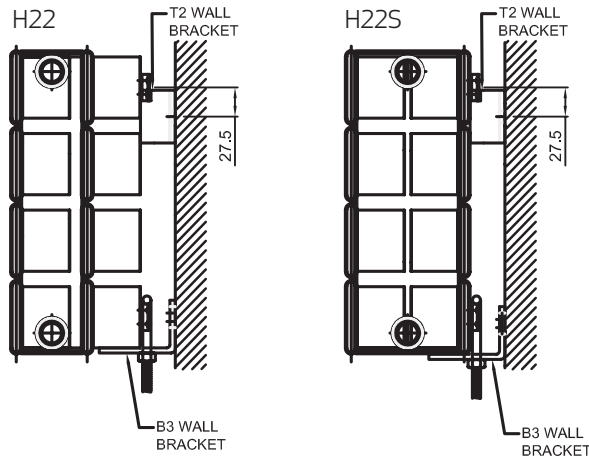
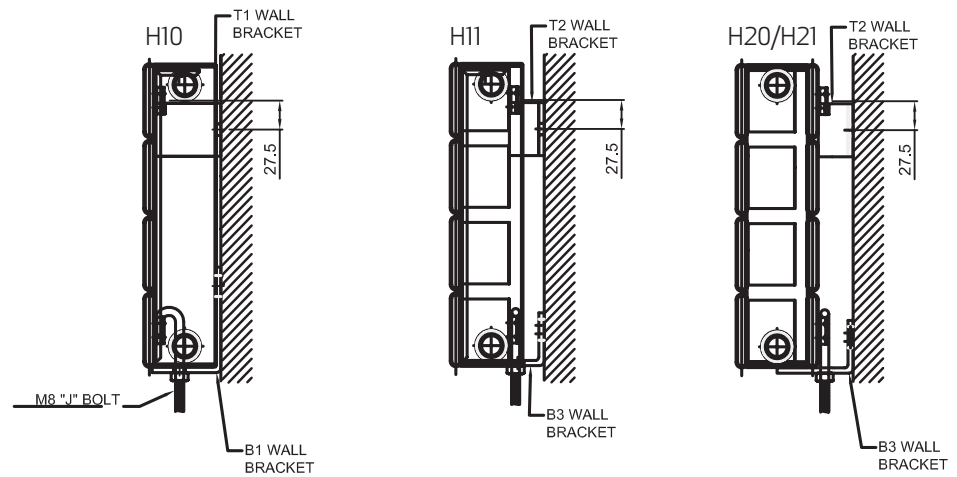


Horizontal Panel Radiator

Single and double full fin with security brackets (H10, H11, H20, H21, H22, H22S)

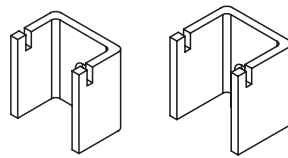


RADIATOR HEIGHTS	'X'
<360mm	100
>360mm	140

Important Notes:

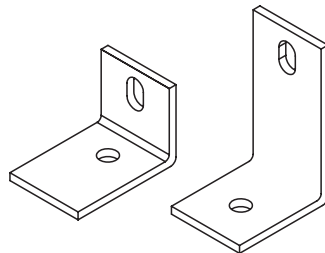
- If the radiator is to be used as an emitter behind an LST casing, please see the LST technical brochure for mounting details.

HANGING BRACKET



T1 WALL BRACKET

T2 WALL BRACKET



B3 WALL BRACKET

B1 WALL BRACKET



M8 "J" BOLT

COMBINATION OF FITTINGS PER MODEL

PANEL TYPE	BRACKET TYPES			
	T1	T2	B1	B3
H10	x		x	
H11		x		x
H20		x		x
H21		x		x
H22		x		x
H22S		x		x

General information: The installation and commissioning of the system should comply with BS EN 14336:2004. On completion of the installation, the system should be properly flushed and filled in accordance with the British Code of Practice for the Treatment of Water in Domestic Hot Water Central Heating Systems (BS 7593:2006). We strongly recommend the use of a corrosion inhibitor. Failure to comply with these standards might invalidate the manufacturer's warranty.

All dimensions are in mm.

International Head Office
 QRL Radiator Group, Imperial Park, Newport,
 South Wales, NP10 8FS, UK

Tel: +44 (0)1633 657 000

www.qrl-radiators.com
 www.merriottuk.com
 www.merriott.ie

Information for the installer

Horizontal Panel Radiator

Single and double full fin with security brackets (H10, H11, H20, H21, H22, H22S)

Installation procedure:

Mark and drill fixing locations for security brackets (see FIG. 1).

T brackets are to be centred on the back clip lug. Fixing holes for all T brackets are to be drilled 27,5mm below the centre of the top back clip locations (see diagram overleaf).

Fixing holes for B brackets:

Model H10: B1 bracket fixing holes should be drilled 77mm above the bottom of the radiator, centred on the bottom back clip lug locations.

Model H11 & H22: B3 bracket fixing holes should be drilled 35mm above the bottom of the radiator, centred on the bottom back clip lug locations.

Model H20/21 & H22S: B3 bracket fixing holes should be drilled 29mm above the bottom of the radiator, centred on the bottom back clip lug locations.

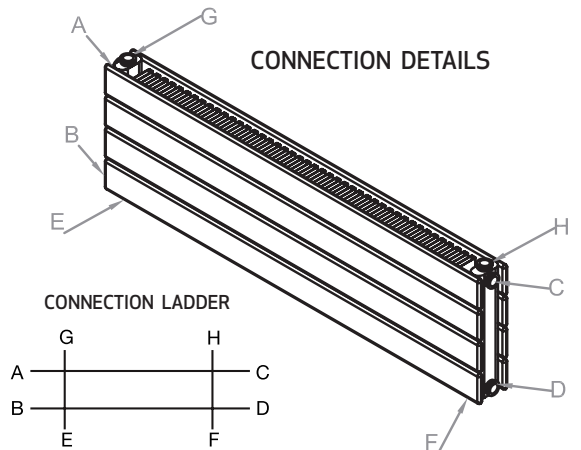
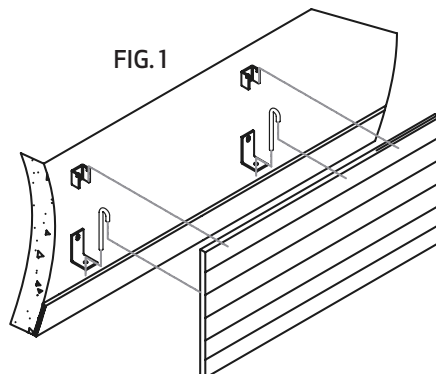
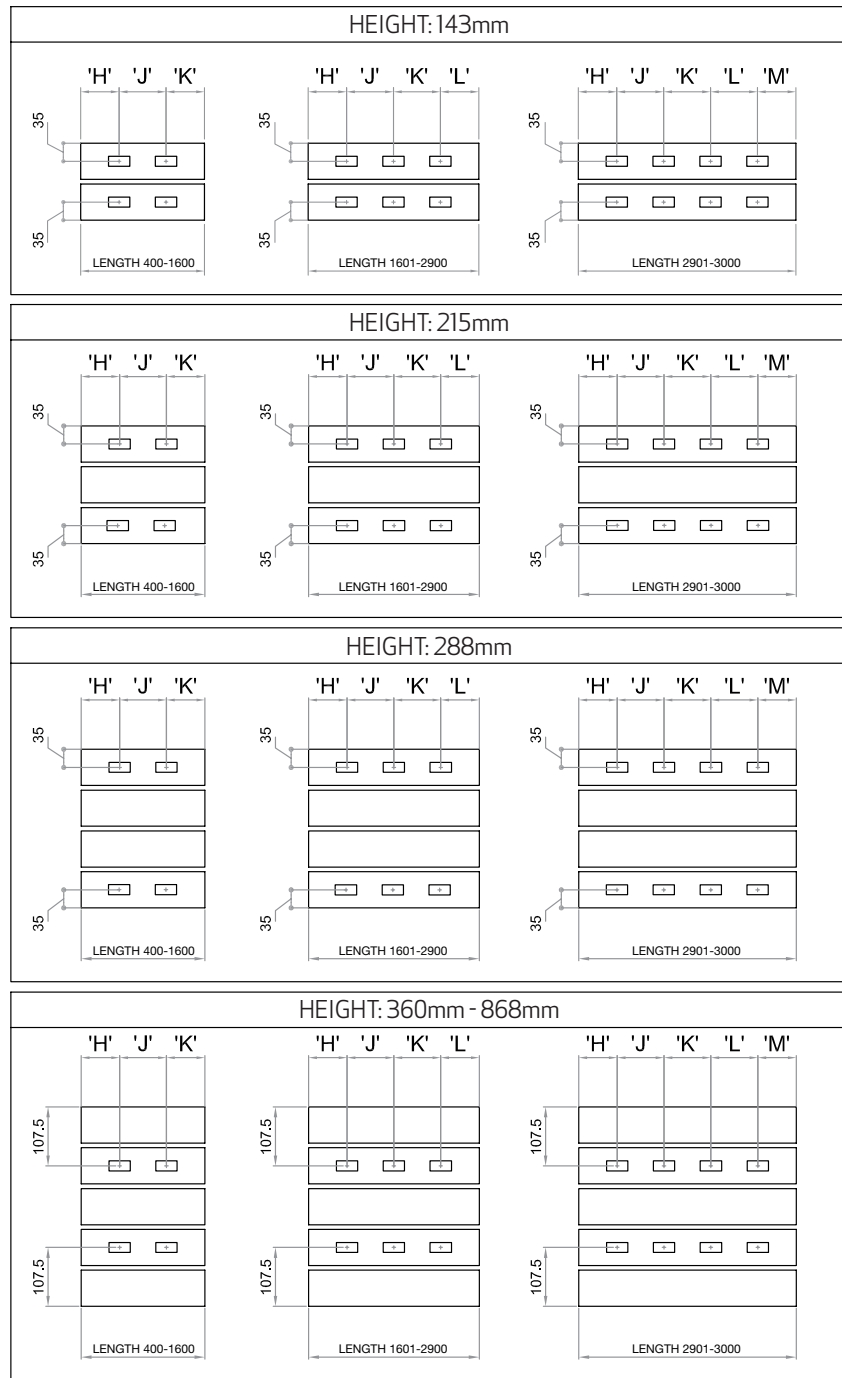
The M8 "J" bolts come in two heights, 100mm high for radiators <360mm high & 140mm high for radiators >360mm high.

It is recommended that when mounting the security wall brackets, M10 anchor bolts are used.

BRACKET LOCATIONS (in mm)

LENGTH	H	J	K	L	M
400	130	140	130	-	-
500	140	220	140	-	-
600	150	300	150	-	-
700	150	400	150	-	-
800	140	520	140	-	-
900	150	600	150	-	-
1000	140	720	140	-	-
1100	150	800	150	-	-
1200	150	900	150	-	-
1300	140	1020	140	-	-
1400	150	1100	150	-	-
1500	150	1200	150	-	-
1600	140	1320	140	-	-
1700	150	700	700	150	-
1800	150	720	780	150	-
1900	150	800	800	150	-
2000	150	820	880	150	-
2100	140	900	920	140	-
2200	150	920	980	150	-
2300	150	1000	1000	150	-
2400	140	1060	1060	140	-
2500	150	1100	1100	150	-
2600	150	1120	1180	150	-
2700	140	1200	1220	140	-
2800	150	1220	1280	150	-
2900	140	1300	1320	140	-
3000	150	900	900	900	150

MOUNTING LUG LOCATIONS



The standard connection configuration is ABCD. Other connections including AB/CD/GE/HF are NOT SUITABLE for horizontal panel radiators without specifying a baffle and must be specified at the time of order.